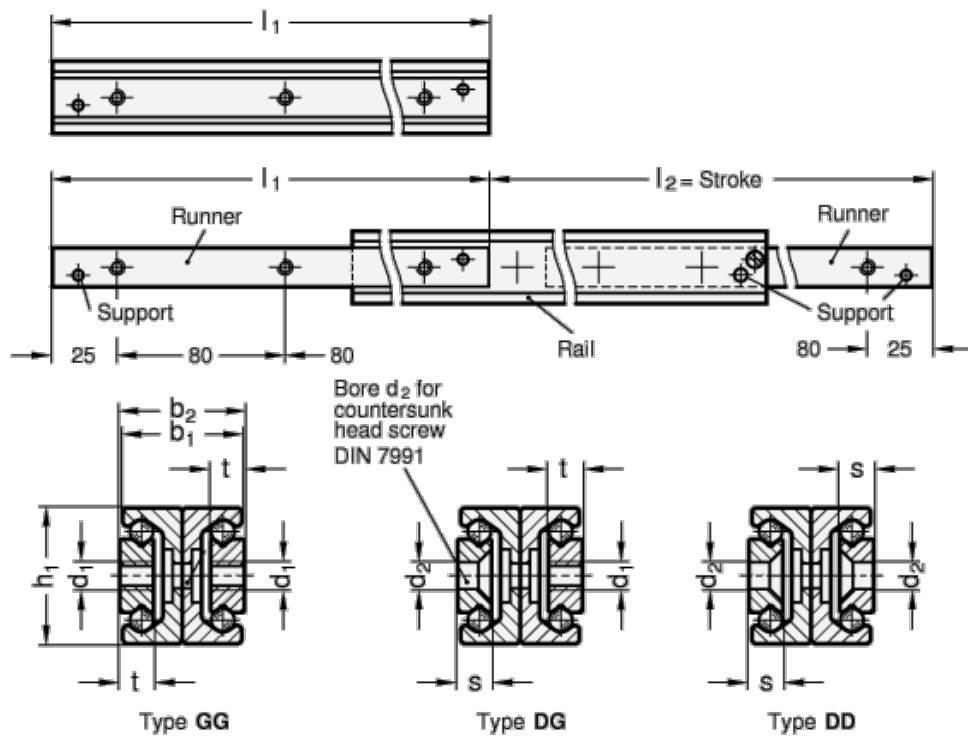


Article number: 20240835450DG

Description: E+G Telescope-Liאר motion bearings GN 2408-35-450-DG

Measures



$b_1 = 33$
 $b_2 = 34$
 $d_1 = M6$
 $d_2 = 6.5$
 $h_1 = 35$
 $L_1 = 450 - 494$
 $s = 3.5$
 $t =$

Weight in (g) = 2750